

All rights reserved by **CNH Industrial**.

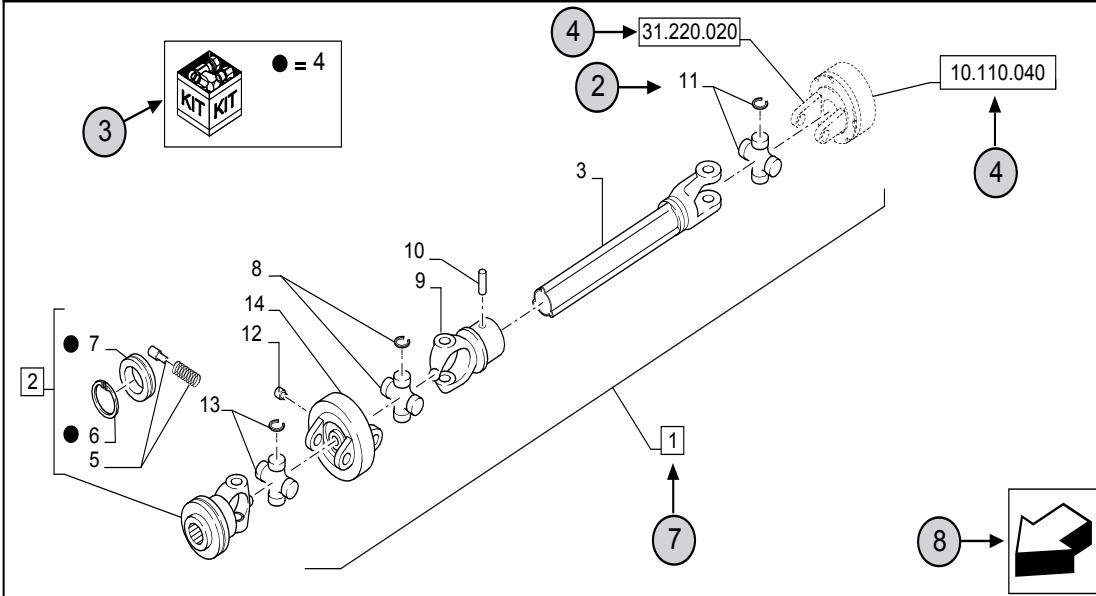
The information contained in this catalogue is intended to be of a general nature only. **CNH Industrial** may at any time and from time to time, for technical or other necessary reasons, modify any of the details or specifications of the product described in this catalogue.

To be sure of getting accurate, detailed and up-to-date information, an intending buyer should consult his nearest **CNH Industrial** dealer or distributor.

Single item numeration method used in this catalogue may not be used without written consent from **CNH Industrial**

| | | | |
|------------|----|----|---------|
| 31.220.010 | 01 | p1 | 10/2014 |
|------------|----|----|---------|

VAR - 123782, 789101,987654 - PTO - D650



STANDARD ← (6)

| | | | | | | |
|------|-----|------|------------|----|----|---------|
| (23) | (9) | (10) | 31.220.010 | 01 | p1 | 10/2014 |
|------|-----|------|------------|----|----|---------|

VAR - 123782, 789101,987654 - PTO - D650

(11) (12) (13) (14)

| REF | FN | PART NUMBER | YR/SN | QTY | DESCRIPTION |
|-----|------|--------------------------|-------|------|--|
| 1 | 1 | 86529340 | (20) | 1 | SHAFT PTO, Incl 2 - 11 |
| 2 | (15) | 84014007 | | 1 | YOKE, Incl 4 - 7 ← (7) |
| 3 | (16) | NSS | | 1 | NOT SERVICED SEPARATELY, SHAFT, 350mm, Incl in 1 |
| 4 | | 84004292 | | 1 | KIT, Seal Kit, Incl 6, 7 (17) |
| 4 | | {84058743} | | 1 | KIT, Seal Kit, Incl 6, 7 |
| (2) | (18) | (19) | | (21) | (22) |
| | | 1 = FOR ITALY ONLY ← (5) | | | |

MODELS ← (1)


- 1 Model Number and Model Description
- 2 Reference - Figure call-out of the part number.
- 3 Parts supplied in repair kits per symbol reference.
- 4 31.220.020 Part illustrated on the **Page** or in the **Figure** indicated, or calls for **Variations** or **Details**. Indicates components shown in detail elsewhere in the catalogue under the figure number shown.
- 5 Footnote references
- 6 Figure notes
- 7 1 2 Includes item(s) (See Description within partlist).
- 8 Orientation. (Arrow indicates front of the machine). 
- 9 Figure description.
- 10 General information of the figure.
- 11 Figure title number that aligns with the SRT. Standard Repair Time.
- 12 **Sequence** code within the assembly.
- 13 Page number within the sequence code.
- 14 **Date** of printing or updating of page (month-year).
- 15 **Note** - Relating to the Part Number. There is a key to symbols and abbreviations at the bottom of the text page.
- 16 Non-serviced parts.
- 17 Further description of the part to help confirm identification.
- 18 Not available as service part.
- 19 Part Number.
- 20 To be defined.
- 21 Total **Quantity** of the Part referred to in the page.
The quantity can be replaced by the following indications:
AR = quantity as requested.
- 22 Part **Description**.
- 23 Variant Codes

TABLE OF CONTENTS

| | | |
|-----------|----|---|
| 00.000.00 | | PICTORIAL INDEX - MAIN SECTIONS |
| 00.000.05 | | PICTORIAL INDEX - SERVICE & MAINTENANCE |
| 00.000.10 | 01 | PICTORIAL INDEX - ENGINE |
| 00.000.10 | 02 | PICTORIAL INDEX - ENGINE |
| 00.000.18 | | PICTORIAL INDEX - CLUTCH |
| 00.000.21 | 01 | PICTORIAL INDEX - TRANSMISSION |
| 00.000.21 | 02 | PICTORIAL INDEX - TRANSMISSION |
| 00.000.21 | 03 | PICTORIAL INDEX - TRANSMISSION |
| 00.000.21 | 04 | PICTORIAL INDEX - TRANSMISSION |
| 00.000.21 | 05 | PICTORIAL INDEX - TRANSMISSION |
| 00.000.21 | 06 | PICTORIAL INDEX - TRANSMISSION |
| 00.000.21 | 07 | PICTORIAL INDEX - TRANSMISSION |
| 00.000.23 | 01 | PICTORIAL INDEX - FOUR WHEEL DRIVE SYSTEM |
| 00.000.23 | 02 | PICTORIAL INDEX - FOUR WHEEL DRIVE SYSTEM |
| 00.000.25 | 01 | PICTORIAL INDEX - FRONT AXLE SYSTEM |
| 00.000.25 | 02 | PICTORIAL INDEX - FRONT AXLE SYSTEM |
| 00.000.25 | 03 | PICTORIAL INDEX - FRONT AXLE SYSTEM |
| 00.000.25 | 04 | PICTORIAL INDEX - FRONT AXLE SYSTEM |
| 00.000.27 | | PICTORIAL INDEX - REAR AXLE SYSTEM |
| 00.000.31 | 01 | PICTORIAL INDEX - IMPLEMENT POWER TAKE-OFF |
| 00.000.31 | 02 | PICTORIAL INDEX - IMPLEMENT POWER TAKE-OFF |
| 00.000.31 | 03 | PICTORIAL INDEX - IMPLEMENT POWER TAKE-OFF |
| 00.000.33 | 01 | PICTORIAL INDEX - BRAKES & CONTROLS |
| 00.000.33 | 02 | PICTORIAL INDEX - BRAKES & CONTROLS |
| 00.000.33 | 03 | PICTORIAL INDEX - BRAKES & CONTROLS |
| 00.000.33 | 04 | PICTORIAL INDEX - BRAKES & CONTROLS |
| 00.000.33 | 05 | PICTORIAL INDEX - BRAKES & CONTROLS |
| 00.000.35 | 01 | PICTORIAL INDEX - HYDRAULIC SYSTEMS |
| 00.000.35 | 02 | PICTORIAL INDEX - HYDRAULIC SYSTEMS |
| 00.000.35 | 03 | PICTORIAL INDEX - HYDRAULIC SYSTEMS |
| 00.000.35 | 04 | PICTORIAL INDEX - HYDRAULIC SYSTEMS |
| 00.000.35 | 05 | PICTORIAL INDEX - HYDRAULIC SYSTEMS |
| 00.000.35 | 06 | PICTORIAL INDEX - HYDRAULIC SYSTEMS |
| 00.000.35 | 07 | PICTORIAL INDEX - HYDRAULIC SYSTEMS |
| 00.000.37 | 01 | PICTORIAL INDEX - HITCHES, DRAWBARS AND IMPLEMENT COUPLINGS |
| 00.000.37 | 02 | PICTORIAL INDEX - HITCHES, DRAWBARS AND IMPLEMENT COUPLINGS |

TABLE OF CONTENTS

| | | |
|-----------|----|---|
| 00.000.37 | 03 | PICTORIAL INDEX - HITCHES, DRAWBARS AND IMPLEMENT COUPLINGS |
| 00.000.39 | | PICTORIAL INDEX - FRAMES AND BALLASTING |
| 00.000.41 | 01 | PICTORIAL INDEX - STEERING |
| 00.000.41 | 02 | PICTORIAL INDEX - STEERING |
| 00.000.44 | 01 | PICTORIAL INDEX - FRONT, WHEEL |
| 00.000.44 | 02 | PICTORIAL INDEX - REAR, WHEEL |
| 00.000.50 | 01 | PICTORIAL INDEX - CAB CLIMATE CONTROL |
| 00.000.50 | 02 | PICTORIAL INDEX - CAB CLIMATE CONTROL |
| 00.000.55 | 01 | PICTORIAL INDEX - ELECTRICAL SYSTEMS |
| 00.000.55 | 02 | PICTORIAL INDEX - ELECTRICAL SYSTEMS |
| 00.000.55 | 03 | PICTORIAL INDEX - ELECTRICAL SYSTEMS |
| 00.000.55 | 04 | PICTORIAL INDEX - ELECTRICAL SYSTEMS |
| 00.000.55 | 05 | PICTORIAL INDEX - ELECTRICAL SYSTEMS |
| 00.000.55 | 06 | PICTORIAL INDEX - ELECTRICAL SYSTEMS |
| 00.000.55 | 07 | PICTORIAL INDEX - ELECTRICAL SYSTEMS |
| 00.000.55 | 08 | PICTORIAL INDEX - ELECTRICAL SYSTEMS |
| 00.000.55 | 09 | PICTORIAL INDEX - ELECTRICAL SYSTEMS |
| 00.000.55 | 10 | PICTORIAL INDEX - ELECTRICAL SYSTEMS |
| 00.000.55 | 11 | PICTORIAL INDEX - ELECTRICAL SYSTEMS |
| 00.000.82 | | PICTORIAL INDEX - FRONT LOADER AND BUCKET |
| 00.000.88 | | PICTORIAL INDEX - ACCESSORIES |
| 00.000.90 | 01 | PICTORIAL INDEX - PLATFORM, CAB, BODYWORK AND DECALS |
| 00.000.90 | 02 | PICTORIAL INDEX - PLATFORM, CAB, BODYWORK AND DECALS |
| 00.000.90 | 03 | PICTORIAL INDEX - PLATFORM, CAB, BODYWORK AND DECALS |
| 00.100.01 | 01 | IDENTIFICATION PLATES AND VERSION LIST |
| 00.100.04 | 01 | OPTIONAL EQUIPMENT |
| 00.100.04 | 02 | OPTIONAL EQUIPMENT |
| 00.100.04 | 03 | OPTIONAL EQUIPMENT |
| 00.100.04 | 04 | OPTIONAL EQUIPMENT |
| 00.100.04 | 05 | OPTIONAL EQUIPMENT |
| 05.000.00 | | SECTION INDEX - SERVICE & MAINTENANCE |
| 05.100.01 | | INITIAL STOCKING LIST (LIST A) |
| 05.100.02 | | INITIAL STOCKING LIST (LIST B) |
| 05.100.03 | 03 | CAPACITIES |
| 05.100.04 | 01 | MAINTENANCE PARTS - FILTERS |
| 05.100.04 | 02 | MAINTENANCE PARTS - STARTER MOTOR, ALTERNATOR, BELTS |

TABLE OF CONTENTS

| | | |
|-----------|----|---|
| 05.100.04 | 03 | MAINTENANCE PARTS - FUSES |
| 05.100.04 | 04 | MAINTENANCE PARTS - BULBS |
| 05.100.04 | 05 | MAINTENANCE PARTS - PUMPS |
| 10.000.00 | 01 | SECTION INDEX - ENGINE |
| 10.000.00 | 02 | SECTION INDEX - ENGINE |
| 10.001.AD | | VAR - 391130, 758000 - ENGINE, ASSY |
| 10.001.AK | | VAR - 391130, 758000 - ENGINE, SUPPORT, PIN |
| 10.103.AH | | VAR - 391130, 758000 - FLYWHEEL |
| 10.202.AB | | VAR - 391130, 758000 - AIR CLEANER, COMPONENTS |
| 10.202.AH | 01 | VAR - 391215, 758207, 758208, 758210, 758211 - AIR CLEANER, SUPPORT |
| 10.202.AH | 02 | VAR - 391130, 758000 - AIR CLEANER, SUPPORT, LOWER |
| 10.202.AK | | VAR - 391130, 758000 - AIR CLEANER, LINE |
| 10.206.AG | 01 | VAR - 337412, 337413, 337414, 337415, 391131, 758001 - FUEL FILTER, SUPPORT |
| 10.206.AG | 02 | VAR - 337410, 337411 - FUEL FILTER, SUPPORT |
| 10.206.AG | 03 | VAR - 391131, 758001 - FUEL FILTER, COMPONENTS |
| 10.216.AI | 01 | VAR - 337410, 337411, 758001, 391131 - FUEL TANK |
| 10.216.AI | 02 | VAR - 391131, 758001 - FUEL TANK, COMPONENTS |
| 10.216.AI | 03 | VAR - 337410, 337411, 758001, 391131 - FUEL TANK, RH |
| 10.216.AI | 04 | VAR - 391131, 758001 - FUEL TANK, ASSEMBLY |
| 10.216.AI | 05 | VAR - 391131, 758001 - FUEL TANK, COVER |
| 10.216.AI | 10 | VAR - 391131, 758001 - FUEL TANK |
| 10.216.AI | 11 | VAR - 391131, 758001 - FUEL TANK (RH) |
| 10.216.AI | 12 | VAR - 391131, 758001 - FUEL TANK, SUPPORT (RH) |
| 10.216.AI | 13 | VAR - 758001 - FUEL TANK, SHIELD (RH) |
| 10.216.AI | 14 | VAR - 391131 - FUEL TANK, SUPPORT |
| 10.216.AI | 15 | VAR - 758001 - FUEL TANK, SUPPORT |
| 10.216.AI | 16 | VAR - 337412, 337413, 337414, 337415 - FUEL TANK |
| 10.216.AI | 17 | VAR - 337412, 337413, 337414, 337415 - FUEL TANK, COMPONENTS |
| 10.216.AI | 18 | VAR - 337412, 337413, 337414, 337415 - FUEL TANK (RH) |
| 10.216.AI | 19 | VAR - 337412, 337413, 337414, 337415 - FUEL TANK, ASSEMBLY |
| 10.216.AI | 20 | VAR - 337412, 337413, 337414, 337415 - FUEL TANK, COVER |
| 10.216.AX | | VAR - 337410, 337411, 337414, 337415 - FUEL COOLER |
| 10.216.AY | 01 | VAR - 337410, 337411 - FUEL COOLER, LINE |
| 10.216.AY | 02 | VAR - 337414, 337415 - FUEL COOLER, LINE |
| 10.216.BA | 01 | VAR - 391131, 758001 - FUEL TANK, LINE |
| 10.216.BA | 02 | VAR - 337410, 337411 - FUEL TANK, LINE |

TABLE OF CONTENTS

| | | |
|-----------|----|---|
| 10.216.BA | 03 | VAR - 337412, 337413 - FUEL TANK, LINE |
| 10.216.BA | 04 | VAR - 337414, 337415 - FUEL TANK, LINE |
| 10.254.AD | 01 | VAR - 391130, 758000 - EXHAUST SYSTEM PIPE |
| 10.254.AD | 02 | VAR - 391209, 758197 - EXHAUST SYSTEM PIPE, COVERS |
| 10.254.AD | 02 | VAR - 391209, 758197, 758999 - EXHAUST SYSTEM PIPE, COVER |
| 10.254.AD | 03 | VAR - 391209, 758999 - EXHAUST SYSTEM PIPE, COVER |
| 10.254.AD | 04 | VAR - 758197 - EXHAUST SYSTEM PIPE, COVERS |
| 10.254.AI | | VAR - 391130, 758000 - EXHAUST SYSTEM PIPE |
| 10.254.AZ | | VAR - 758005 - EXHAUST BRAKE, PEDAL |
| 10.304.AP | | VAR - 391130, 758000 - HOSE, CRANKCASE |
| 10.310.AA | 02 | VAR - 391130, 758000 - INTERCOOLER, COMPONENTS |
| 10.310.AB | | VAR - 391130, 758000 - AFTERCOOLER LINE |
| 10.400.AK | | VAR - 391130, 758000 - EXPANSION TANK, HOSE |
| 10.400.AY | | VAR - 391130, 758000 - RADIATOR, HOSE |
| 10.400.BE | | VAR - 391130, 758000 - RADIATOR, COMPONENTS |
| 10.400.BF | 01 | VAR - 391130 - FAN, SHROUD |
| 10.400.BF | 02 | VAR - 758000 - FAN, SHROUD |
| 10.400.BF | 04 | VAR - 391130, 758000 - RADIATOR, SUPPORT |
| 10.400.BF | 08 | VAR - 758091 - RADIATOR, SEAL |
| 10.400.BF | 10 | VAR - 758092 - RADIATOR, SEAL |
| 10.400.BF | 17 | VAR - 391172, 758095, 758097, 758098, 758099, 758886, 758887 - RADIATOR, SEAL |
| 10.400.BF | 19 | VAR - 758091, 758093, 758247 - RADIATOR, SEAL |
| 10.400.BF | 20 | VAR - 391172, 758088, 758089, 758090, 758092, 758095, 758097, 758098, 758099, 758246 - RADIATOR, SEAL |
| 10.400.BF | 21 | VAR - 758088, 758089, 758089, 7585090 - RADIATOR, SEAL |
| 10.400.BH | 01 | VAR - 391130, 758000 - EXPANSION TANK |
| 10.400.BH | 02 | VAR - 391130, 758000 - EXPANSION TANK, COMPONENTS |
| 10.414.AC | 01 | VAR - 391130 - FAN |
| 10.414.AC | 02 | VAR - 332231, 758000 - REVERSIBLE FAN, COMPONENTS |
| 10.414.AD | 01 | VAR - 391130 - FAN, PULLEY |
| 10.414.AD | 02 | VAR - 758000 - FAN, PULLEY |
| 10.414.AQ | | VAR - 332231, 758000 - REVERSIBLE FAN |
| 10.414.BE | 01 | VAR - 391130 - FAN, BELT |
| 10.414.BE | 02 | VAR - 758000 - FAN, BELT |
| 10.500.AA | | VAR - 391131, 758001 - DEF/ADBLUE™ TANK, COMPONENTS |
| 10.500.AD | 01 | VAR - 391130, 758000 - DEF/ADBLUE™ LINES |
| 10.500.AD | 02 | VAR - 391130, 758000 - DEF/ADBLUE™ LINES |

TABLE OF CONTENTS

| | | |
|-----------|----|--|
| 10.500.AG | | VAR - 391130, 758000 - DEF/ADBLUE™ LINES |
| 10.500.AR | | VAR - 391131, 758001 - HEATER VALVE |
| 10.501.AD | 02 | VAR - 391130, 758000 - EXHAUST SYSTEM - SELECTIVE CATALYTIC REDUCTION |
| 18.000.00 | | SECTION INDEX - CLUTCH |
| 21.000.00 | 01 | SECTION INDEX - TRANSMISSION |
| 21.000.00 | 02 | SECTION INDEX - TRANSMISSION |
| 21.000.00 | 03 | SECTION INDEX - TRANSMISSION |
| 21.000.00 | 04 | SECTION INDEX - TRANSMISSION |
| 21.000.00 | 05 | SECTION INDEX - TRANSMISSION |
| 21.000.00 | 06 | SECTION INDEX - TRANSMISSION |
| 21.000.00 | 07 | SECTION INDEX - TRANSMISSION |
| 21.105.BL | 01 | VAR - 391161, 758056 - TRANSMISSION, LUBRICATION LINE |
| 21.105.BL | 02 | VAR - 337429, 337430, 337431, 337432, 758018, 758019, 758020, 758021 - TRANSMISSION LUBRICATION LINE, POWERSHIFT |
| 21.109.AD | 01 | VAR - 337426, 337428, 337429, 337430, 337431, 337432, 391137, 758017, 758018, 758019, 758020, 758021, 759052 - TRANSMISSION, OIL COOLER, LINE |
| 21.109.AD | 02 | VAR - 337426, 337428, 337429, 337430, 337431, 337432, 391137, 758017, 758018, 758019, 758020, 758021, 759052 - TRANSMISSION, OIL COOLER, LINE |
| 21.118.AF | 09 | VAR - 337426, 337428, 337429, 337430, 337431, 337432, 338397, 391137, 758017, 758018, 758019, 758020, 758021, 758868, 759052 - TRANSMISSION HOUSING, POWERSHIFT |
| 21.118.AF | 10 | VAR - 337426, 337428, 337429, 337430, 337431, 337432, 338397, 391137, 758017, 758018, 758019, 758020, 758021, 758868, 759052 - TRANSMISSION HOUSING, POWERSHIFT |
| 21.118.AF | 11 | VAR - 337426, 337427, 337428, 337429, 337430, 337431, 337432, 337433, 338397, 391137, 391138, 758017, 758018, 758019, 758020, 758021, 758022, 758870, 759052, 759053 - TRANSMISSION HOUSING, PLUGS |
| 21.118.AF | 12 | VAR - 337426, 337428, 338397, 391137, 758017 - TRANSMISSION HOUSING, POWERSHIFT, PLUGS |
| 21.118.AF | 14 | VAR - 332336, 332337, 332338, 332339, 332340, 337426, 337428, 337428, 337430, 337431, 337432, 392137, 759052, 759053 - TRANSMISSION HOUSING, PLUGS |
| 21.118.AJ | 01 | VAR - 758007 - TRANSMISSION OIL, HEATER (110V) |
| 21.118.AJ | 02 | VAR - 758008 - TRANSMISSION OIL, HEATER (240V) |
| 21.118.AJ | 03 | VAR - 758008 - TRANSMISSION OIL, HEATER (240V) |
| 21.120.AB | 01 | VAR - 391137, 337426, 337428, 337429, 337430, 337431, 337432, 338397, 758017, 758018, 758019, 758020, 758021, 759052, 759053 - GEARBOX, POWERSHIFT |
| 21.120.AB | 02 | VAR - 391137, 337426, 337428, 337429, 337430, 337431, 337432, 338397, 758017, 758018, 758019, 758020, 758021, 759052 - GEARBOX, POWERSHIFT |
| 21.120.AB | 03 | VAR - 391137, 337426, 337428, 337429, 337430, 337431, 337432, 338339, 758017, 758018, 758019, 758020, 758021, 759052 - GEARBOX, POWERSHIFT |
| 21.120.AB | 09 | VAR - 337426, 336428, 337429, 337430, 337431, 337432, 391137, 758017, 758018, 758019, 758020, 759021, 758868, 758869, 758870, 759052, 759053 - GEARBOX, SPACER, BEARING |
| 21.135.AQ | 01 | VAR - 337426, 337428, 337429, 337430, 337431, 337432, 338397, 391137, 758017, 758018, 758019, 758020, 758021, 759052 - TRANSMISSION CONTROL VALVE |
| 21.135.AQ | 02 | VAR - 337426, 337428, 337429, 337430, 337431, 337432, 338397, 391137, 758017, 758018, 758019, 758020, 758021, 759052 - TRANSMISSION CONTROL VALVE |
| 21.135.AQ | 03 | VAR - 337426, 337428, 337429, 337430, 337431, 337432, 391137, 758018, 758019, 758020, 758021, 759052 - TRANSMISSION CONTROL VALVE |
| 21.135.AQ | 04 | VAR - 337429 - 337430 - 337431 - 337432 - 758018 - 758019 - 758020 - 758021 - TRANSMISSION 19X6, SAFETY VALVE, POWERSHIFT |
| 21.135.AQ | 05 | VAR - 337426, 337428, 337429, 337430, 337431, 337432, 338397, 391137, 758017, 758018, 758019, 758020, 758021, 759052 - TRANSMISSION CONTROL VALVE, TUBE |
| 21.148.AC | 01 | VAR - 337426, 337428, 337429, 337430, 337431, 337432, 338397, 391137, 758017, 758018, 758019, 758020, 758021, 759052 - CENTRAL REDUCTION GEAR, PINION SHAFT, POWERSHIFT |

TABLE OF CONTENTS

| | | |
|-----------|----|---|
| 21.148.AC | 02 | VAR - 337426, 337428, 337429, 337430, 337431, 337432, 338397, 392137, 758017, 758018, 758019, 758020, 758021, 759052 - CENTRAL REDUCTION GEAR, PINION SHAFT, POWERSHIFT |
| 21.148.AC | 03 | VAR - 337426, 337428, 337429, 337430, 337431, 337432, 338397, 392137, 758017, 758018, 758019, 758020, 758021, 758869, 759052 - CENTRAL REDUCTION GEAR, PINION SHAFT, POWERSHIFT |
| 21.148.AC | 04 | VAR - 337426, 337428, 337429, 337430, 337431, 337432, 338397, 392137, 758017, 758018, 758019, 758020, 758021, 758869, 759052 - CENTRAL REDUCTION GEAR, PINION SHAFT, POWERSHIFT |
| 21.148.AC | 08 | VAR - 337426, 337429, 337431, 391136, 391137, 391138, 391351, 758012, 758014, 758016, 758018, 758020, 758022, 758867, 759052 - BEVEL PINION, COUPLING |
| 21.155.AA | 01 | VAR - 337426, 337428, 337429, 337430, 337431, 337432, 338397, 391137, 758017, 758018, 758019, 758020, 758021, 758868, 759052 - FRONT COVER, MANIFOLD |
| 21.155.AA | 02 | VAR - 337426, 337428, 337429, 337430, 337431, 337432, 338397, 391137, 758017, 758018, 758019, 758020, 758021, 758868, 759052 - FRONT COVER, MANIFOLD |
| 21.155.AA | 03 | VAR - 337426, 337428, 337429, 337430, 337431, 337432, 338397, 391137, 758017, 758018, 758019, 758020, 758021, 758868, 759052 - FRONT COVER, MANIFOLD |
| 21.155.AA | 04 | VAR - 337426, 337428, 337429, 337430, 337431, 337432, 338397, 391137, 758017, 758018, 758019, 758020, 758021, 758868, 759052 - FRONT COVER, MANIFOLD |
| 21.155.AA | 05 | VAR - 337426, 337428, 337429, 337430, 337431, 337432, 338397, 391137, 758017, 758018, 758019, 758020, 758021, 758868, 759052 - FRONT COVER, MANIFOLD |
| 21.155.AA | 06 | VAR - 337426, 337428, 337429, 337430, 337431, 337432, 338397, 391137, 758017, 758018, 758019, 758020, 758021, 758868, 759052 - FRONT COVER, MANIFOLD |
| 21.155.AA | 07 | VAR - 337426, 337428, 337429, 337430, 337431, 337432, 338397, 391137, 758017, 758018, 758019, 758020, 758021, 758868, 759052 - FRONT COVER, MANIFOLD |
| 21.155.AA | 08 | VAR - 337426, 337428, 337429, 337430, 337431, 337432, 338397, 391137, 758017, 758018, 758019, 758020, 758021, 758868, 759052 - FRONT COVER, MANIFOLD |
| 21.155.AA | 09 | VAR - 337426, 337428, 337429, 337430, 337431, 337432, 338397, 391137, 758017, 758018, 758019, 758020, 758021, 758868, 759052 - FRONT COVER, MANIFOLD |
| 21.155.AA | 10 | VAR - 337426, 337428, 337429, 337430, 337431, 337432, 338397, 391137, 758017, 758018, 758019, 758020, 758021, 759052 - CENTRAL REDUCTION GEAR, RANGE GEAR |
| 21.155.AA | 11 | VAR - 337426, 337428, 337429, 337430, 337431, 337432, 338397, 391137, 758017, 758018, 758019, 758020, 758021, 759052 - CENTRAL REDUCTION GEAR, SHIM |
| 21.155.AA | 12 | VAR - 337426, 337428, 337429, 337430, 337431, 337432, 338397, 391137, 758017, 758018, 758019, 758020, 758021, 759052 - CENTRAL REDUCTION GEAR, SHIM |
| 21.155.AA | 13 | VAR - 337426, 337428, 337429, 337430, 337431, 337432, 338397, 391137, 758017, 758018, 758019, 758020, 758021, 759052 - CENTRAL REDUCTION GEAR, CLUTCH |
| 21.155.AA | 14 | VAR - 337426, 337428, 337429, 337430, 337431, 337432, 338397, 391137, 758017, 758018, 758019, 758020, 758021, 759052 - CENTRAL REDUCTION GEAR, CLUTCH |
| 21.155.AA | 15 | VAR - 337426, 337428, 337429, 337430, 337431, 337432, 338397, 391137, 758017, 758018, 758019, 758020, 758021, 759052 - CENTRAL REDUCTION GEAR, SHIM |
| 21.155.AA | 16 | VAR - 337426, 337428, 337429, 337430, 337431, 337432, 338397, 391137, 758017, 758018, 758019, 758020, 758021, 759052 - CENTRAL REDUCTION GEAR, CLUTCH, GEAR, REVERSER |
| 21.155.AA | 17 | VAR - 337426, 337428, 337429, 337430, 337431, 337432, 338397, 391137, 758017, 758018, 758019, 758020, 758021, 759052 - CENTRAL REDUCTION GEAR, CLUTCH, REVERSER |
| 21.155.AA | 18 | VAR - 337429, 337430, 337431, 337432, 758018, 758019, 758020, 758021, 759052 - TRANSMISSION 19X6, CLUTCH, MANIFOLD, POWERSHIFT |
| 21.155.AA | 19 | VAR - 337429, 337430, 337431, 337432, 758018, 758019, 758020, 758021, 759052 - TRANSMISSION 19X6, CLUTCH, 19 GEAR, POWERSHIFT |
| 21.155.AN | | VAR - 337426, 337428, 337429, 337430, 337431, 337432, 338397, 391137, 758017, 758018, 758019, 758020, 758021, 759052, 759053 - TRANSMISSION, PTO, INPUT SHAFT |
| 21.155.AN | 02 | VAR - 759052 - BEARING, INPUT SHAFT |
| 21.160.AK | | VAR - 337426, 337428, 337430, 337432, 338397, 758017, 758019, 758021 - CREEPER, CONTROL LEVER |
| 21.160.AL | | VAR - 337428, 337430, 337432, 758017, 758019, 758021 - CREEPER, GEAR |
| 21.160.AP | | VAR - 337426, 337428, 337430, 337432, 338397, 758017, 758019, 758021, 758867 - CREEPER, CONTROL VALVE |
| 21.182.AF | 01 | VAR - 337426, 337427, 337428, 337429, 337430, 337431, 337432, 337433, 338397, 391137, 391138, 758017, 758018, 758019, 758020, 758021, 758022, 758868, 758869, 758870, 759052, 759053 - TRANSMISSION |
| 21.182.AF | 02 | VAR - 337426, 337427, 337428, 337429, 337430, 337431, 337432, 337433, 391137, 391138, 758017, 758018, 758019, 758020, 758021, 758022, 759052, 759053 - TRANSMISSION |
| 21.506.AI | | VAR - 337426, 337428, 337429, 337430, 337431, 337432, 338396, 391137, 758017, 758018, 758019, 758020, 758021, 759052 - TRANSMISSION, INLINE |

TABLE OF CONTENTS

| | | |
|-----------|----|---|
| 21.900.AA | 01 | VAR - 391161, 758056 - HYDRAULIC PUMP, DRIVEN GEAR |
| 21.900.AA | 02 | VAR - 391161, 391374, 758056 - HYDRAULIC PUMP, DRIVEN GEAR, SHIM |
| 23.000.00 | 01 | SECTION INDEX - FOUR WHEEL DRIVE SYSTEM |
| 23.000.00 | 02 | SECTION INDEX - FOUR WHEEL DRIVE SYSTEM |
| 23.202.AP | 01 | VAR - 337426, 337428, 337429, 337430, 337431, 337432, 338397, 391137, 758017, 758018, 758019, 758020, 758021, 759052 - 4WD ENGAGEMENT CLUTCH CONTROL, POWERSHIFT |
| 23.202.AP | 02 | VAR - 337426, 337428, 337429, 337430, 337431, 337432, 338397, 391137, 758017, 758018, 758019, 758020, 758021 - 4WD ENGAGEMENT CLUTCH CONTROL, SHIM, POWERSHIFT |
| 23.202.AP | 03 | VAR - 337426, 337428, 337429, 337430, 337431, 337432, 338397, 391137, 758017, 758018, 758019, 758020, 758021, 759052 - 4WD ENGAGEMENT CLUTCH CONTROL, HOUSING, POWERSHIFT |
| 23.314.AH | 01 | VAR - 337426, 337429, 337430, 337432, 391137, 391138, 758017, 758018, 758019, 758020, 758021, 758022, 759052, 759053 - 4WD FRONT AXLE, DRIVE SHAFT |
| 23.314.AH | 02 | VAR - 337416, 758048, 758049 - 4WD FRONT AXLE, DRIVE SHAFT |
| 23.314.AH | 03 | VAR - 391157 - 4WD FRONT AXLE, DRIVE SHAFT |
| 23.314.AH | 04 | VAR - 758050 - 4WD FRONT AXLE, DRIVE SHAFT |
| 23.314.AH | 07 | VAR - 337416, 758048, 758049 - 4WD FRONT AXLE, DRIVE SHAFT, GUARD, COVER |
| 23.314.AH | 08 | VAR - 391157 - 4WD FRONT AXLE, DRIVE SHAFT, GUARD |
| 23.314.AH | 10 | VAR - 758050 - 4WD FRONT AXLE, DRIVE SHAFT, GUARD |
| 25.000.00 | 01 | SECTION INDEX - FRONT AXLE SYSTEM |
| 25.000.00 | 02 | SECTION INDEX - FRONT AXLE SYSTEM |
| 25.000.00 | 03 | SECTION INDEX - FRONT AXLE SYSTEM |
| 25.000.00 | 04 | SECTION INDEX - FRONT AXLE SYSTEM |
| 25.100.AA | 01 | VAR - 391157 - 4WD FRONT AXLE |
| 25.100.AA | 02 | VAR - 758048 - FRONT AXLE, SUSPENDED |
| 25.100.AA | 03 | VAR - 758049 - FRONT AXLE, SUSPENDED W/BRAKES |
| 25.100.AA | 04 | VAR - 758050 - SUPERSTEER FRONT AXLE |
| 25.100.AA | 05 | VAR - 337416 - SUSPENDED FRONT AXLE, W/ BRAKE |
| 25.100.AD | 01 | VAR - 391157 - 4WD FRONT AXLE, HOUSING |
| 25.100.AD | 02 | VAR - 337416, 758048 - FRONT AXLE, SUSPENDED, HOUSING |
| 25.100.AD | 03 | VAR - 337416, 758049 - FRONT AXLE, SUSPENDED W/BRAKES, HOUSING |
| 25.100.AD | 04 | VAR - 758050 - SUPERSTEER FRONT AXLE, HOUSING |
| 25.100.AD | 05 | VAR - 337416 - SUSPENDED FRONT AXLE, W/ BRAKE, HOUSING |
| 25.100.AD | 07 | VAR - 391157 - 4WD FRONT AXLE, HOUSING |
| 25.100.AD | 08 | VAR - 758048 - SUSPENDED FRONT AXLE, HOUSING |
| 25.100.AD | 09 | VAR - 758049 - SUSPENDED FRONT AXLE, W/ FRONT BRAKES, HOUSING |
| 25.100.AD | 10 | VAR - 758050 - SUPERSTEER FRONT AXLE, HOUSING |
| 25.100.AI | 01 | VAR - 758050 - SUPERSTEER FRONT AXLE, ARTICULATION, SUPPORT |
| 25.100.AI | 02 | VAR - 758050 - SUPERSTEER FRONT AXLE , AXLE ARTICULATION SUPPORT |
| 25.100.AV | 01 | VAR - 391157 - FRONT AXLE SUPPORT, AXLE, STANDARD |

TABLE OF CONTENTS

| | | |
|-----------|----|--|
| 25.100.AV | 02 | VAR - 337416, 758048, 758049 - FRONT AXLE SUPPORT, AXLE, SUSPENSION |
| 25.100.AV | 03 | VAR - 391172, 758095, 758097, 758098, 758099, 758050 - FRONT AXLE SUPPORT, SUPERSTEER FRONT AXLE |
| 25.100.AV | 04 | VAR - 391172 - FRONT AXLE SUPPORT |
| 25.100.AV | 05 | VAR - 391157 - FRONT AXLE SUPPORT, TRUNNION |
| 25.100.AV | 06 | VAR - 758050 - FRONT AXLE SUPPORT, TRUNNION |
| 25.100.AV | 07 | VAR - 337416, 758048, 758049 - SUSPENDED FRONT AXLE, SUPPORT |
| 25.100.AV | 08 | VAR - 337416, 758048, 758049 - FRONT AXLE SUPPORT, AXLE, SUSPENSION, ACCELERATOR, SENSOR |
| 25.100.AV | 10 | VAR - 391209, 758197 - PLUG, W/O FRONT LOADER |
| 25.100.BL | 01 | VAR - 337416, 758048, 758049 - SUSPENDED FRONT AXLE, ARM |
| 25.100.BL | 02 | VAR - 337416, 758048, 758049 - SUSPENDED FRONT AXLE, ARM, COMPONENTS |
| 25.102.AB | 01 | VAR - 391157 - 4WD FRONT AXLE, BEVEL PINION |
| 25.102.AB | 02 | VAR - 337416, 758048 - FRONT AXLE, SUSPENDED, BEVEL PINION |
| 25.102.AB | 03 | VAR - 337416, 758049 - FRONT AXLE, SUSPENDED W/BRAKES, BEVEL PINION |
| 25.102.AB | 04 | VAR - 758050 - SUPERSTEER FRONT AXLE, BEVEL PINION |
| 25.102.AB | 05 | VAR - 337416 - SUSPENDED FRONT AXLE, W/ BRAKE, BEVEL PINION |
| 25.102.AB | 06 | VAR - 391157 - 4WD FRONT AXLE, DIFFERENTIAL, BEVEL PINION |
| 25.102.AB | 07 | VAR - 758048, 758049 - SUSPENDED FRONT AXLE, DIFFERENTIAL, BEVEL PINION |
| 25.102.AB | 08 | SUPERSTEER FRONT AXLE, DIFFERENTIAL, BEVEL PINION |
| 25.102.AC | 01 | VAR - 391157 - 4WD FRONT AXLE, DIFFERENTIAL CARRIER |
| 25.102.AC | 02 | VAR - 337416, 758048 - FRONT AXLE, SUSPENDED, DIFFERENTIAL CARRIER |
| 25.102.AC | 03 | VAR - 337416, 758049 - FRONT AXLE, SUSPENDED W/BRAKES, DIFFERENTIAL CARRIER |
| 25.102.AC | 04 | VAR - 758050 - SUPERSTEER FRONT AXLE, DIFFERENTIAL CARRIER |
| 25.102.AC | 05 | VAR - 758050 - SUPERSTEER FRONT AXLE, DIFFERENTIAL CARRIER |
| 25.102.AC | 06 | VAR - 337416 - SUSPENDED FRONT AXLE, W/ BRAKE, DIFFERENTIAL CARRIER |
| 25.102.AC | 07 | VAR - 391157 - 4WD FRONT AXLE, DIFFERENTIAL, DIFFERENTIAL CARRIER |
| 25.102.AC | 08 | VAR - 758048, 758049 - SUSPENDED FRONT AXLE, DIFFERENTIAL, DIFFERENTIAL CARRIER |
| 25.102.AC | 09 | VAR - 758050 - SUPERSTEER FRONT AXLE, DIFFERENTIAL, DIFFERENTIAL CARRIER |
| 25.102.AC | 10 | VAR - 758050 - SUPERSTEER FRONT AXLE, DIFFERENTIAL, DIFFERENTIAL CARRIER, PIPE |
| 25.102.AD | 01 | VAR - 391157 - 4WD FRONT AXLE, DIFFERENTIAL |
| 25.102.AD | 02 | VAR - 337416, 758048 - FRONT AXLE, SUSPENDED, DIFFERENTIAL |
| 25.102.AD | 03 | VAR - 337416, 758049 - FRONT AXLE, SUSPENDED W/BRAKES, DIFFERENTIAL |
| 25.102.AD | 04 | VAR - 758050 - SUPERSTEER FRONT AXLE, DIFFERENTIAL |
| 25.102.AD | 05 | VAR - 337416 - SUSPENDED FRONT AXLE, W/ BRAKE, DIFFERENTIAL |
| 25.102.AD | 06 | VAR - 391157 - 4WD FRONT AXLE, DIFFERENTIAL |
| 25.102.AD | 07 | VAR - 391157 - 4WD FRONT AXLE, DIFFERENTIAL, HOUSING |
| 25.102.AD | 08 | VAR - 758048 - SUSPENDED FRONT AXLE, DIFFERENTIAL |

TABLE OF CONTENTS

| | | |
|-----------|----|---|
| 25.102.AD | 09 | VAR - 758048, 758049 - SUSPENDED FRONT AXLE, DIFFERENTIAL, HOUSING |
| 25.102.AD | 10 | VAR - 758049 - SUSPENDED FRONT AXLE, W/ FRONT BRAKES, DIFFERENTIAL, HOUSING |
| 25.102.AD | 11 | VAR - 758050 - SUPERSTEER FRONT AXLE, DIFFERENTIAL |
| 25.102.AD | 12 | VAR - 758050 - SUPERSTEER FRONT AXLE, DIFFERENTIAL, HOUSING |
| 25.102.AS | 01 | VAR - 391157 - 4WD FRONT AXLE, DIFFERENTIAL LOCK |
| 25.102.AS | 02 | VAR - 337416, 758048 - FRONT AXLE, SUSPENDED, DIFFERENTIAL LOCK |
| 25.102.AS | 03 | VAR - 337416, 758049 - FRONT AXLE, SUSPENDED W/BRAKES, DIFFERENTIAL LOCK |
| 25.102.AS | 04 | VAR - 758050 - SUPERSTEER FRONT AXLE, DIFFERENTIAL LOCK |
| 25.102.AS | 05 | VAR - 337416 - SUSPENDED FRONT AXLE, W/ BRAKE, DIFFERENTIAL LOCK |
| 25.102.AS | 06 | VAR - 391157 - 4WD FRONT AXLE, DIFFERENTIAL, DIFFERENTIAL LOCK |
| 25.102.AS | 07 | VAR - 758048, 758049 - SUSPENDED FRONT AXLE, DIFFERENTIAL, DIFFERENTIAL LOCK |
| 25.102.AS | 08 | VAR - 758050 - SUPERSTEER FRONT AXLE, DIFFERENTIAL, DIFFERENTIAL LOCK |
| 25.102.AT | 02 | VAR - 391157 - 4WD FRONT AXLE, DIFFERENTIAL LOCK, LINE |
| 25.102.AT | 03 | VAR - 337416, 758048, 758049 - FRONT AXLE, SUSPENDED, DIFFERENTIAL LOCK, LINE |
| 25.102.AT | 05 | VAR - 758050 - SUPERSTEER FRONT AXLE, DIFFERENTIAL LOCK, LINE |
| 25.108.AA | 01 | VAR - 337416, 391157 - 4WD FRONT AXLE, SHAFT |
| 25.108.AA | 02 | VAR - 337416, 758048 - SUSPENDED FRONT AXLE, SHAFT |
| 25.108.AA | 03 | VAR - 337416, 758049 - SUSPENDED FRONT AXLE, W/ BRAKE, SHAFT |
| 25.108.AA | 04 | VAR - 337416, 758050 - SUPERSTEER FRONT AXLE, SHAFT |
| 25.108.AA | 05 | VAR - 337416 - SUSPENDED FRONT AXLE, W/ BRAKE, SHAFT |
| 25.108.AA | 06 | VAR - 391157 - 4WD FRONT AXLE, SHAFT |
| 25.108.AA | 07 | VAR - 758048 - SUSPENDED FRONT AXLE, SHAFT |
| 25.108.AA | 08 | VAR - 758049 - SUSPENDED FRONT AXLE, W/ FRONT BRAKES, SHAFT |
| 25.108.AA | 09 | VAR - 758050 - SUPERSTEER FRONT AXLE, SHAFT |
| 25.108.AB | 01 | VAR - 391157 - 4WD FRONT AXLE, PLANETARY GEAR |
| 25.108.AB | 02 | VAR - 758048 - SUSPENDED FRONT AXLE, PLANETARY GEAR |
| 25.108.AB | 03 | VAR - 758049 - SUSPENDED FRONT AXLE, W/ FRONT BRAKES, PLANETARY GEAR |
| 25.108.AB | 04 | VAR - 758050 - SUPERSTEER FRONT AXLE, PLANETARY GEAR |
| 25.108.AB | 05 | VAR - 337416, 758049 - SUSPENDED FRONT AXLE, W/ BRAKE, PLANETARY GEAR |
| 25.108.AC | 01 | VAR - 391157 - 4WD FRONT AXLE, FINAL DRIVE |
| 25.108.AC | 02 | VAR - 758048 - FRONT AXLE, SUSPENDED, FINAL DRIVE |
| 25.108.AC | 03 | VAR - 337416, 758049 - FRONT AXLE, SUSPENDED W/BRAKES, FINAL DRIVE |
| 25.108.AC | 04 | VAR - 758050 - SUPERSTEER FRONT AXLE, FINAL DRIVE |
| 25.108.AC | 05 | VAR - 337416 - SUSPENDED FRONT AXLE, W/ BRAKE, FINAL DRIVE |
| 25.108.AC | 06 | VAR - 391157, 758048 - 4WD FRONT AXLE, STEERING KNUCKLE, RH, FINAL DRIVE |
| 25.108.AC | 07 | VAR - 391157, 758048 - 4WD FRONT AXLE, STEERING KNUCKLE, LH, FINAL DRIVE |

TABLE OF CONTENTS

| | | |
|-----------|----|--|
| 25.108.AC | 08 | VAR - 758049 - SUSPENDED FRONT AXLE, W/ FRONT BRAKES, FINAL DRIVE |
| 25.108.AC | 09 | VAR - 758050 - SUPERSTEER FRONT AXLE, FINAL DRIVE |
| 25.108.AG | 01 | VAR - 391157 - 4WD FRONT AXLE, STEERING KNUCKLE, RH |
| 25.108.AG | 02 | VAR - 391157 - 4WD FRONT AXLE, STEERING KNUCKLE, LH |
| 25.108.AG | 03 | VAR - 758048 - FRONT AXLE, SUSPENDED, STEERING KNUCKLE, RH |
| 25.108.AG | 04 | VAR - 758048 - FRONT AXLE, SUSPENDED, STEERING KNUCKLE, LH |
| 25.108.AG | 05 | VAR - 337416, 758049 - FRONT AXLE, SUSPENDED W/BRAKES, STEERING KNUCKLE, RH |
| 25.108.AG | 06 | VAR - 337416, 758049 - FRONT AXLE, SUSPENDED W/BRAKES, STEERING KNUCKLE, LH |
| 25.108.AG | 07 | VAR - 758050 - SUPERSTEER FRONT AXLE, STEERING KNUCKLE, RH |
| 25.108.AG | 08 | VAR - 758050 - SUPERSTEER FRONT AXLE, STEERING KNUCKLE, LH |
| 25.108.AG | 09 | VAR - 337416 - SUSPENDED FRONT AXLE, W/ BRAKE, STEERING KNUCKLE, RH |
| 25.108.AG | 10 | VAR - 337416 - SUSPENDED FRONT AXLE, W/ BRAKE, STEERING KNUCKLE, LH |
| 25.108.AG | 11 | VAR - 391157 - 4WD FRONT AXLE, STEERING KNUCKLE, RH |
| 25.108.AG | 12 | VAR - 391157 - 4WD FRONT AXLE, STEERING KNUCKLE, LH |
| 25.108.AG | 13 | VAR - 758048 - SUSPENDED FRONT AXLE, STEERING KNUCKLE, RH |
| 25.108.AG | 14 | VAR - 758048 - SUSPENDED FRONT AXLE, STEERING KNUCKLE, LH |
| 25.108.AG | 15 | VAR - 758049 - SUSPENDED FRONT AXLE, W/ FRONT BRAKES, STEERING KNUCKLE, RH |
| 25.108.AG | 16 | VAR - 758049 - SUSPENDED FRONT AXLE, W/ FRONT BRAKES, STEERING KNUCKLE, LH |
| 25.108.AG | 17 | VAR - 758050 - SUPERSTEER FRONT AXLE, STEERING KNUCKLE, LH |
| 25.108.AG | 18 | VAR - 758050 - SUPERSTEER FRONT AXLE, STEERING KNUCKLE, RH |
| 25.108.AN | 01 | VAR - 391157 - 4WD FRONT AXLE, WHEEL, HUB |
| 25.108.AN | 02 | VAR - 758048 - FRONT AXLE, SUSPENSION, WHEEL, HUB |
| 25.108.AN | 03 | VAR - 758049 - FRONT AXLE, SUSPENSION W/BRAKES, WHEEL, HUB |
| 25.108.AN | 04 | VAR - 758050 - SUPERSTEER FRONT AXLE, WHEEL, HUB |
| 25.108.AN | 05 | VAR - 337416 - SUSPENDED FRONT AXLE, W/ BRAKE, WHEEL, HUB |
| 25.108.AN | 06 | VAR - 391157, 758048 - 4WD FRONT AXLE, STEERING KNUCKLE, RH, WHEEL, HUB |
| 25.108.AN | 07 | VAR - 391157, 758048 - 4WD FRONT AXLE, STEERING KNUCKLE, LH, WHEEL, HUB |
| 25.108.AN | 08 | VAR - 758049 - SUSPENDED FRONT AXLE, W/ FRONT BRAKES, WHEEL, HUB |
| 25.108.AN | 09 | VAR - 758050 - SUPERSTEER FRONT AXLE, WHEEL, HUB |
| 25.122.AA | | VAR - 337416, 758048, 758049 - SUSPENDED FRONT AXLE, ACCUMULATOR |
| 25.122.AB | 01 | VAR - 337416, 758048, 758049 - SUSPENDED FRONT AXLE, CYLINDER |
| 25.122.AB | 02 | VAR - 337416, 758048, 758049 - SUSPENDED FRONT AXLE, CYLINDER, COMPONENTS |
| 25.122.AB | 03 | VAR - 337416, 758048, 758049 - SUSPENDED FRONT AXLE, CYLINDER, COMPONENTS |
| 25.122.AB | 04 | VAR - 337416, 758048, 758049 - SUSPENDED FRONT AXLE, CYLINDER, COMPONENTS |
| 25.122.AD | 01 | VAR. 332416, 391168, 758048, 758049, 758064, 758065, 758066 - SUSPENDED FRONT AXLE - HYD CONTROL VALVE, LINE - PWS |
| 25.122.AD | 02 | VAR - 337416, 758048, 758049 - SUSPENDED FRONT AXLE, CYLINDER, LINE |

TABLE OF CONTENTS

| | | |
|-----------|----|--|
| 25.122.AL | 01 | VAR - 758048, 758049 - FRONT AXLE, SUSPENDED, CONTROL VALVE, POWERSHIFT |
| 25.122.AL | 02 | VAR - 758048, 758049 - FRONT AXLE, SUSPENDED, CONTROL VALVE, COMPONENTS, POWERSHIFT |
| 27.000.00 | | SECTION INDEX - REAR AXLE SYSTEM |
| 27.100.AB | 01 | VAR - 337426, 337428, 337429, 337430, 337431, 337432, 338397, 391137, 391138, 758017, 758018, 758019, 758020, 758021, 758869, 758869, 758870, 759052, 759053 - TRANSMISSION, SUPPORT, POWERSHIFT |
| 27.100.AI | 01 | VAR - 337426, 337427, 337428, 337429, 337430, 337431, 337432, 337433, 391137, 391138, 758017, 758018, 758019, 758020, 758021, 758022, 759052, 759053 - REAR AXLE, HOUSING, BREATHER |
| 27.120.AF | 01 | VAR - 391158 - REAR AXLE, FINAL DRIVE, SHAFT, PLANETARY GEAR |
| 27.120.AF | 02 | VAR - 391159, 708052, 758162 - REAR AXLE, FINAL DRIVE, SHAFT, PLANETARY GEAR, 98 INCH |
| 27.120.AF | 03 | VAR - 337417, 337418, 337419, 337425 - REAR AXLE, FINAL DRIVE, SHAFT, PLANETARY GEAR, 98 INCH, W/ ANTILOCK BRAKING SYSTEM (ABS) |
| 27.120.AF | 06 | VAR - 337424 - REAR AXLE, FINAL DRIVE, SHAFT, PLANETARY GEAR, W/ ANTILOCK BRAKING SYSTEM (ABS) |
| 27.120.AF | 10 | VAR - 337420, 337421 - REAR AXLE, FINAL DRIVE, SHAFT, PLANETARY GEAR, 112 INCH, W/ ANTILOCK BRAKING SYSTEM (ABS) |
| 27.120.AF | 12 | VAR - 337422, 337423 - REAR AXLE, FINAL DRIVE, SHAFT, PLANETARY GEAR, 119 INCH, W/ ANTILOCK BRAKING SYSTEM (ABS) |
| 27.120.AF | 13 | VAR - 758053 - REAR AXLE, FINAL DRIVE, SHAFT, PLANETARY GEAR, 112 INCH |
| 27.120.AF | 14 | VAR - 758054 - REAR AXLE, FINAL DRIVE, SHAFT, PLANETARY GEAR, 119 INCH |
| 27.120.AI | 02 | VAR - 391158, 391159, 758052, 758053, 758054 - REAR AXLE, FINAL DRIVE, AXLE HOUSING |
| 27.120.AI | 04 | VAR - 337417, 337418, 337419, 337420, 337421, 337422, 337423, 337424, 337425 - REAR AXLE, FINAL DRIVE, AXLE HOUSING, W/ ANTILOCK BRAKING SYSTEM (ABS) |
| 27.120.AR | 01 | VAR - 332639 - REAR AXLE, WHEEL HUB |
| 27.120.AR | 02 | VAR - 337418, 337420, 337422, 337425, 391159, 758052, 758053, 758054, 758162 - REAR AXLE, WHEEL HUB |
| 31.000.00 | 01 | SECTION INDEX - IMPLEMENT POWER TAKE OFF |
| 31.000.00 | 02 | SECTION INDEX - IMPLEMENT POWER TAKE OFF |
| 31.000.00 | 03 | SECTION INDEX - IMPLEMENT POWER TAKE OFF |
| 31.101.AC | 02 | VAR - 338179, 338182, 758025, 758029 -PTO 1000/1000E RPM, CONTROL LEVER |
| 31.101.AC | 03 | VAR - 338178, 338179, 338181, 338182, 392141, 392145, 758025, 758028, 758029, 758030 - PTO (2 - SPEED, 4 - SPEED), CONTROL LEVER |
| 31.101.AC | 04 | VAR - 338178, 391141 - PTO 540E/1000 RPM, CONTROL LEVER |
| 31.101.AC | 05 | VAR - 338179, 758025 - PTO 1000/1000E RPM, CONTROL LEVER |
| 31.104.AR | 03 | VAR - 337426, 337428, 337430, 337432, 338397, 758017, 758019, 758021 - PTO, CONTROL VALVE |
| 31.104.AR | 04 | VAR - 337426, 337428, 337430, 337432, 338397, 758017, 758019, 758021 - PTO, CONTROL VALVE, COMPONENTS |
| 31.104.AR | 05 | VAR -332337, 332339, 337429, 337431, 391137, 758018, 758020, 759052 - PTO, CONTROL VALVE |
| 31.104.AR | 06 | VAR -332337, 332339, 337429, 337431, 391137, 758018, 758020, 759052 - PTO, CONTROL VALVE, COMPONENTS |
| 31.114.AB | 01 | VAR - 338178, 338181, 391141, 758028 - PTO 540E/1000 RPM, DRIVEN SHAFT |
| 31.114.AB | 02 | VAR - 338179, 338182, 391145, 758025, 758029 - PTO 1000/1000E RPM, DRIVEN SHAFT |
| 31.114.AB | 03 | VAR - 338183, 758031 - PTO 540/1000 RPM, DRIVEN SHAFT |
| 31.114.AB | 04 | VAR - 338184, 758032 - PTO 540E/1000 RPM, DRIVEN SHAFT |
| 31.114.AF | 01 | VAR - 338178, 338181, 338183, 338184, 391141, 391145, 758028, 758031, 758032 - PTO, 2-SPEED (540/1000, 540E/1000, 1000/1000E), OUTPUT SHAFT |

TABLE OF CONTENTS

| | | |
|-----------|----|--|
| 31.114.AF | 02 | VAR - 338178, 338181, 338182, 338183, 338184, 391141, 391145, 758025, 758028, 758029, 758031, 758032 - PTO, 2-SPEED (540/1000, 540E/1000, 1000/1000E), OUTPUT SHAFT |
| 31.114.AH | 01 | VAR - 391173 - PTO, HOUSING & COVERS |
| 31.114.AH | 02 | VAR - 338179, 338182, 391145, 758025, 758029 - PTO 1000/1000E RPM, HOUSING |
| 31.114.AH | 03 | VAR - 338183, 758031 - PTO 540/1000 RPM, HOUSING |
| 31.114.AH | 04 | VAR - 338184, 758032 - PTO 540E/1000 RPM, HOUSING |
| 31.114.AH | 05 | VAR - 338178, 338181, 338182, 338183, 338184, 391141, 391145, 758025, 758028, 758029, 758031, 758032 - PTO, 2-SPEED (540/1000, 540E/1000, 1000/1000E), HOUSING, MOUNTING |
| 31.114.AH | 06 | VAR - 338178, 338181, 338182, 338183, 338184, 391141, 391145, 758025, 758028, 758029, 758031, 758032 - PTO, 2-SPEED (540/1000, 540E/1000, 1000/1000E), HOUSING, LEVEL, OIL |
| 31.114.AI | 02 | VAR - 338178, 338179, 338181, 338182, 338184, 391141, 758025, 758028, 758029, 758032 - PTO 540/1000 RPM, PTO 540E/1000 RPM, PTO 1000/1000E RPM, CLUTCH |
| 31.114.AI | 03 | VAR - 338183, 758031 - PTO 540/1000 RPM, CLUTCH |
| 31.114.AJ | 02 | VAR - 338178, 338179, 338181, 338182, 338184, 391141, 758025, 758028, 758029, 758032 - PTO 540/1000 RPM, PTO 540E/1000 RPM, PTO 1000/1000E RPM, BRAKE |
| 31.114.AJ | 03 | VAR - 338183, 758031 - PTO 540/1000 RPM, BRAKE |
| 31.114.AO | 01 | VAR - 338178, 338181, 391141, 758028 - PTO 540E/1000 RPM, SELECTOR |
| 31.114.AO | 02 | VAR - 338179, 338182, 391145, 758025, 758029 - PTO 1000/1000E RPM, SELECTOR |
| 31.114.AO | 03 | VAR - 338183, 758031 - PTO 540/1000 RPM, SELECTOR |
| 31.114.AO | 04 | VAR - 338184, 758032 - PTO 540E/1000 RPM, SELECTOR |
| 31.114.AP | 02 | VAR - 338178, 338179, 338181, 338182, 338184, 391141, 391145, 758025, 758028, 758029, 758031, 758032 - PTO 540/1000 RPM, PTO 540E/1000 RPM, PTO 1000/1000E RPM, MAIN SHAFT, COMPONENTS |
| 31.114.AP | 04 | VAR - 338178, 338179, 338181, 338182, 338184, 391141, 758025, 758028, 758029, 758032 - PTO 540/1000 RPM, PTO 540E/1000 RPM, PTO 1000/1000E RPM, MAIN SHAFT |
| 31.114.AP | 05 | VAR - 391141, 758025, 758028, 758029, 758031, 758032 - PTO 540/1000 RPM, PTO 540E/1000 RPM, PTO 1000/1000E RPM, SHAFT |
| 31.114.AP | 06 | VAR - 338178, 338179, 338181, 338182, 338183, 338184, 758018 - PTO 540/1000 RPM, PTO 540E/1000 RPM, PTO 1000/1000E RPM, MAIN SHAFT |
| 31.114.AP | 07 | VAR - 338183, 758031 - PTO 540/1000 RPM, MAIN SHAFT |
| 31.114.AP | 08 | VAR - 338183, 758031 - PTO 540/1000 RPM, MAIN SHAFT, COMPONENTS |
| 31.114.AP | 09 | VAR - 337426, 337428, 337429, 337430, 337431, 337432, 391137, 758017, 758018, 758019, 758020, 758021, 759052 - PTO 540/1000 RPM, SPEED, WHEEL |
| 31.116.AH | 01 | VAR - 391139, 758024 - PTO CLUTCH |
| 31.119.AB | 01 | VAR - 758030 - PTO 540/540E/1000/1000E RPM, DRIVEN SHAFT |
| 31.119.AB | 02 | VAR - 758030 - PTO 540/540E/1000/1000E RPM, DRIVEN SHAFT, SHIM |
| 31.119.AB | 03 | VAR - 758030 - PTO 540/540E/1000/1000E RPM, DRIVEN SHAFT, SHIM |
| 31.119.AD | 01 | VAR - 758030 - PTO 540/540E/1000/1000E RPM, DRIVE SHAFT, FRONT |
| 31.119.AD | 02 | VAR - 758030 - PTO 540/540E/1000/1000E RPM, DRIVE SHAFT, FRONT, COMPONENTS |
| 31.119.AF | 01 | VAR - 758030 - PTO 540/540E/1000/1000E RPM, OUTPUT SHAFT |
| 31.119.AF | 02 | VAR - 758030 - PTO 540/540E/1000/1000E RPM, OUTPUT SHAFT |
| 31.119.AH | 01 | VAR - 758030 - PTO 540/540E/1000/1000E RPM, HOUSING |
| 31.119.AH | 02 | VAR - 758030 - PTO 540/540E/1000/1000E RPM, HOUSING, SUPPORT |
| 31.119.AH | 03 | VAR - 758030 - PTO 540/540E/1000/1000E RPM, HOUSING, LEVEL, OIL |
| 31.119.AH | 07 | VAR - 758030 - PTO 540/540E/1000/1000E RPM, HOUSING, SUPPORT, MOUNTING |

TABLE OF CONTENTS

| | | |
|-----------|----|--|
| 31.119.AH | 08 | VAR - 338034, 338035, 338967, 338968, 391173, 758100, 758101, 758102, 758103, 758113, 758651, 758652, 758653, 758654, 758655, 758656, 758657, 758658 - PTO, HOUSING & COVERS |
| 31.119.AI | 01 | VAR - 758030 - PTO 540/540E/1000/1000E RPM, CLUTCH |
| 31.119.AJ | 01 | VAR - 758030 - PTO 540/540E/1000/1000E RPM, BRAKE |
| 31.119.AK | 01 | VAR - 758030 - PTO 540/540E/1000/1000E RPM, MANIFOLD |
| 31.119.AK | 02 | VAR - 758030 - PTO 540/540E/1000/1000E RPM, MANIFOLD, COMPONENTS |
| 31.119.AO | 01 | VAR - 758030 - PTO 540/540E/1000/1000E RPM, SELECTOR |
| 31.119.AP | 02 | VAR - 758030 - PTO 540/540E/1000/1000E RPM, DRIVE SHAFT, REAR |
| 31.119.AP | 04 | VAR - 758030 - PTO 540/540E/1000/1000E RPM, DRIVE SHAFT, REAR |
| 31.119.AP | 05 | VAR - 758030 - PTO 540/540E/1000/1000E RPM, DRIVE SHAFT, REAR |
| 31.119.AP | 06 | VAR - 337426, 337428, 337429, 337430, 337431, 337432, 338397, 391137, 758017, 758018, 758019, 758020, 758021, 759052 - PTO 540/540E/1000/1000E, SPEED, WHEEL |
| 31.142.AF | 01 | VAR - 758091, 758245 - FRONT, 3 POINT HITCH, FRONT PTO, GEAR |
| 31.142.AF | 02 | FVAR - 758093, 758247 - FRONT, 3 POINT HITCH, COUPLING, W/ 2 COUPLERS, FRONT PTO, GEAR |
| 31.146.AA | 01 | VAR - 758091, 758245 - FRONT, 3 POINT HITCH, FRONT PTO, CLUTCH, COMPONENTS |
| 31.146.AA | 02 | VAR - 758091, 758245 - FRONT, 3 POINT HITCH, FRONT PTO, DRIVE SHAFT |
| 31.146.AA | 03 | VAR - 758093, 758247 - FRONT, 3 POINT HITCH, W/ 2 COUPLERS, FRONT PTO, CLUTCH, COMPONENTS |
| 31.146.AA | 04 | VAR - 758093, 758247 - FRONT, 3 POINT HITCH, W/ 2 COUPLERS, FRONT PTO, DRIVE SHAFT |
| 31.146.AC | 01 | VAR - 758091, 758245 - FRONT, 3 POINT HITCH, FRONT PTO |
| 31.146.AC | 02 | VAR - 758091, 758245 - FRONT, 3 POINT HITCH, FRONT PTO, HOUSING |
| 31.146.AC | 03 | VAR - 758091, 758245 - FRONT, 3 POINT HITCH, FRONT PTO, HOUSING, COMPONENTS |
| 31.146.AC | 04 | VAR - 758093, 758247 - FRONT, 3 POINT HITCH, W/ 2 COUPLERS, FRONT PTO |
| 31.146.AC | 05 | VAR - 758093, 758247 - FRONT, 3 POINT HITCH, W/ 2 COUPLERS, FRONT PTO, HOUSING |
| 31.146.AC | 06 | VAR - 758093, 758247 - FRONT, 3 POINT HITCH, W/ 2 COUPLERS, FRONT PTO, HOUSING, COMPONENTS |
| 31.146.AE | 01 | VAR - 758091, 758245 - FRONT, 3 POINT HITCH, FRONT PTO, CLUTCH, COMPONENTS |
| 31.146.AE | 02 | VAR - 758093, 758247 - FRONT, 3 POINT HITCH, CLUTCH, COMPONENTS |
| 31.146.AL | 01 | VAR - 758091, 758245 - FRONT, 3 POINT HITCH, FRONT PTO, DRIVE SHAFT, COVER |
| 31.146.AL | 02 | VAR - 758093, 758247 - FRONT, 3 POINT HITCH, W/ FRONT PTO, W/ 2 COUPLERS, DRIVE SHAFT, COVER |
| 33.000.00 | 01 | SECTION INDEX - BRAKES & CONTROLS |
| 33.000.00 | 02 | SECTION INDEX - BRAKES & CONTROLS |
| 33.000.00 | 03 | SECTION INDEX - BRAKES & CONTROLS |
| 33.000.00 | 04 | SECTION INDEX - BRAKES & CONTROLS |
| 33.000.00 | 05 | SECTION INDEX - BRAKES & CONTROLS |
| 33.110.AJ | 01 | VAR - 391147 - HAND BRAKE, LEVER |
| 33.110.AJ | 02 | VAR - 391147 - HAND BRAKE, LEVER, COMPONENTS |
| 33.110.AJ | 03 | VAR - 391148, 758034 - HAND BRAKE, LEVER |
| 33.110.AJ | 04 | VAR - 391148, 758034 - HAND BRAKE, LEVER, COMPONENTS |

TABLE OF CONTENTS

| | | |
|-----------|----|--|
| 33.110.AJ | 05 | HAND BRAKE, TRAILER, BRACKET |
| 33.110.AJ | 05 | TRAILER BRAKE, SUPPORT |
| 33.110.AV | 01 | VAR - 391147 - PARKING BRAKE, DISC |
| 33.110.AV | 02 | VAR - 391148 - PARKING BRAKE, DISC |
| 33.110.AV | 03 | VAR - 758034 - PARKING BRAKE, DISC |
| 33.110.AZ | 01 | VAR - 391147 - PARKING BRAKE, HOUSING |
| 33.110.AZ | 03 | VAR - 758034 - PARKING BRAKE, HOUSING |
| 33.110.BA | 01 | VAR - 391147 - PARKING BRAKE, LEVER |
| 33.110.BA | 02 | VAR - 391148 - PARKING BRAKE, HOUSING |
| 33.110.BA | 03 | VAR - 758034 - PARKING BRAKE, HOUSING |
| 33.202.AA | | VAR - 391347, 758802, 758803, 758804, 758805, 758806, 758807, 758871 - BRAKE BOOSTER, ACCUMULATOR, AUTOGUIDANCE |
| 33.202.AK | 03 | VAR - 758204 - TRANSMISSION, BRAKE DISC |
| 33.202.AK | 05 | VAR - 391224 - TRANSMISSION, BRAKE DISC |
| 33.202.AP | 01 | VAR - 337487, 758040, 758042 - HYDRAULIC AND PNEUMATIC TRAILER BRAKE, LINE, ITALY |
| 33.202.AP | 04 | VAR - 337481, 337484, 337488, 391155, 758038, 758041, 758043 - BRAKE LINE, ANTILOCK BRAKING SYSTEM (ABS) |
| 33.202.AP | 05 | VAR - 758040, 758042 - HYDRAULIC AND PNEUMATIC TRAILER BRAKE, LINE |
| 33.202.AP | 06 | VAR - 337481, 337484, 337484, 337487, 337488, 337491, 391155, 758037, 758038, 758039, 758041, 758042, 758043, 758044 - TRAILER, BRAKE LINE |
| 33.202.AP | 07 | VAR - 758037, 758039, 758044 - BRAKE LINE |
| 33.202.AP | 08 | VAR - 337481, 337484, 337488, 391155, 758038, 758041, 758043 - PILOT VALVE, BRAKE LINE |
| 33.202.AP | 09 | VAR - 337426, 337428, 337429, 337430, 337431, 337432, 391137, 758017, 758018, 758019, 758020, 758021, 759052 - BRAKE LINE, POWERSHIFT |
| 33.202.AR | | VAR - 391347, 758802, 758803, 758804, 758805, 758806, 758807, 758871 - BRAKE CYLINDER |
| 33.202.BN | 01 | VAR - 391347, 758802, 758803, 758804, 758805, 758806, 758807, 758871 - PARK BRAKE |
| 33.202.BN | 03 | VAR - 338320, 338321, 338322, 338326, 338327, 338330, 338332, 758871 - BRAKE, PEDAL |
| 33.202.BN | 04 | VAR - 338320, 338321, 338322, 338326, 338327, 338330, 338332, 758805, 758806, 758807, 758871 - BRAKE, PEDAL |
| 33.202.BO | 01 | VAR - 391347, 758802, 758803, 758804, 758805, 758806, 758807, 758871 - BRAKE LINE |
| 33.202.BO | 03 | VAR - 391347, 758802, 758803, 758804, 758805, 758806, 758807, 758871 - BRAKE LINE, POWERSHIFT |
| 33.202.BO | 04 | VAR - 391347, 758802, 758803, 758804, 758805, 758806, 758807, 758871 - BRAKE LINE, AUTOGUIDANCE |
| 33.204.AB | 01 | VAR - 337416, 758049 - FRONT AXLE, SUSPENDED, BLEED SCREW |
| 33.204.AB | 02 | VAR - 337416 - SUSPENDED FRONT AXLE, BLEED SCREW |
| 33.204.AB | 03 | VAR - 758049 - SUSPENDED FRONT AXLE, W/ FRONT BRAKES, BLEED SCREW |
| 33.204.AD | 01 | VAR - 337416, 758049 - FRONT AXLE, SUSPENDED, BRAKES |
| 33.204.AD | 02 | VAR - 337416 - SUSPENDED FRONT AXLE, BRAKE |
| 33.204.AD | 03 | VAR - 758049 - SUSPENDED FRONT AXLE, W/ FRONT BRAKES, BRAKES |
| 33.204.AG | 01 | VAR - 758046 - FRONT AXLE, SUSPENDED W/BRAKES, BRAKE LINE |
| 33.204.AG | 02 | VAR - 337416, 758049 - FRONT AXLE, BRAKE LINE |

TABLE OF CONTENTS

| | | |
|-----------|----|--|
| 33.204.AG | 03 | VAR - 758048 - SUSPENDED FRONT AXLE, W/ BRAKE LINE |
| 33.204.AG | 04 | VAR - 337416 - SUSPENDED FRONT AXLE, BRAKE, LINE |
| 33.204.AG | 05 | VAR - 758049 - SUSPENDED FRONT AXLE, W/ FRONT BRAKES, BRAKE LINE |
| 33.220.AC | 01 | VAR - 337482, 337491 - HYDRAULIC AND PNEUMATIC TRAILER BRAKE, LINE, ANTILOCK BRAKING SYSTEM (ABS), UK |
| 33.220.AM | 08 | VAR - 337487, 758040, 758042 - HYDRAULIC AND PNEUMATIC TRAILER BRAKE, MANIFOLD, W/O ANTILOCK BRAKING SYSTEM (ABS) |
| 33.224.AH | 01 | VAR - 337481, 337482, 337484, 337487, 337487, 337488, 337491 - TRAILER, BRAKE, COMPRESSOR |
| 33.224.AH | 02 | VAR - 758038, 758039, 758041, 758042, 758043, 758044 - TRAILER, BRAKE, COMPRESSOR |
| 33.224.AJ | 01 | VAR - 758038, 758039, 758041, 758042, 758043, 758044 - TRAILER, BRAKE, COMPRESSOR, INLINE |
| 33.224.AJ | 02 | VAR - 758038, 758039, 758041, 758042, 758043, 758044 - TRAILER, BRAKE, COMPRESSOR, DRAIN LINE |
| 33.224.AJ | 03 | VAR - 337481, 337482, 337484, 337487, 337488, 337491, 758038, 758039, 758041, 758042, 758043, 758044 - TRAILER, BRAKE, COMPRESSOR, DRAIN LINE |
| 33.224.AJ | 04 | VAR - 337481, 337482, 337484, 337487, 337488, 337491 - TRAILER, BRAKE, COMPRESSOR, DRAIN LINE |
| 33.224.AJ | 05 | VAR - 337481, 337482, 337484, 337487, 337488, 337491 - TRAILER, BRAKE, COMPRESSOR, DRAIN LINE |
| 33.224.AJ | 07 | VAR - 337481, 337482, 337484, 337487, 337488, 337491, 758038, 758039, 758041, 758042, 758043, 758044 - TRAILER, BRAKE, COMPRESSOR, DRAIN LINE |
| 33.224.AL | 01 | VAR - 337481, 337482, 337484, 337487, 337487, 337488, 337491 - TRAILER, BRAKE, COMPRESSOR, BELT |
| 33.224.AL | 02 | VAR - 758038, 758039, 758041, 758042, 758043, 758044 - TRAILER, BRAKE, COMPRESSOR, BELT |
| 33.224.AM | 01 | VAR - 758038, 758039, 758041, 758042, 758043, 758044 - TRAILER, BRAKE, COMPRESSOR, LUBRICATION LINE |
| 33.224.AM | 02 | VAR - 337481, 337482, 337484, 337487, 337488, 337491 - TRAILER, BRAKE, COMPRESSOR, LUBRICATION LINE |
| 33.224.AO | 01 | VAR - 337481, 337482, 337484, 337487, 337487, 337488, 337491 - TRAILER, BRAKE, COMPRESSOR, PULLEY |
| 33.224.AO | 02 | VAR - 758038, 758039, 758041, 758042, 758043, 758044 - TRAILER, BRAKE, COMPRESSOR, PULLEY |
| 33.224.AQ | 02 | VAR - 337481, 227482, 227484, 337487, 337488, 337491 - TRAILER BRAKE VALVE, PIPE |
| 33.224.AZ | 01 | VAR - 337481, 337482, 337484, 337487, 337488, 337491, 758038, 758039, 758041, 758042, 758043, 758044 - PNEUMATIC TRAILER BRAKE, PNEUMATIC VALVE |
| 33.224.AZ | 02 | VAR - 337481, 337482, 337484, 337487, 337488, 337491, 758038, 758039, 758041, 758042, 758043, 758044 - PNEUMATIC TRAILER BRAKE, QUICK-RELEASE, VALVE |
| 33.224.AZ | 03 | VAR - 337481, 337482, 337488, 337491, 758038, 758039, 758043, 758044 - PNEUMATIC TRAILER BRAKE, PIPE |
| 33.224.AZ | 04 | VAR - 337481, 337482, 337488, 337491, 758038, 758039, 758043, 758044 - PNEUMATIC TRAILER BRAKE, PIPE |
| 33.224.AZ | 05 | VAR - 337488, 337491, 758043, 758044 - PNEUMATIC TRAILER BRAKE, BRACKET |
| 33.224.AZ | 07 | VAR - 337481, 337482, 758038, 758039 - PNEUMATIC TRAILER BRAKE, PIPE |
| 33.224.AZ | 09 | VAR - 337484, 337487, 758041, 758042 - PNEUMATIC TRAILER BRAKE, PIPE |
| 33.224.AZ | 10 | VAR - 337481, 337482, 337484, 337487, 337488, 337491, 758038, 758039, 758041, 758042 - PNEUMATIC TRAILER BRAKE, PIPE |
| 33.224.AZ | 11 | VAR - 337484, 337487, 337488, 337491, 758041, 758042 - PNEUMATIC TRAILER BRAKE, BRACKET |
| 33.224.AZ | 13 | VAR - 337488, 337491 - PNEUMATIC TRAILER BRAKE, BRACKET |
| 33.224.BC | | VAR - 758038, 758039, 758041, 758042, 758043, 758044 - PNEUMATIC TRAILER BRAKE, VALVE |
| 33.350.AA | | VAR - 337479, 337480 - ANTILOCK BRAKING SYSTEM (ABS), COMPRESSOR, LINE |
| 33.350.AE | 02 | VAR - 337479, 337480 - ANTILOCK BRAKING SYSTEM (ABS), AIR CONTROL, COMPONENTS |

TABLE OF CONTENTS

| | | |
|-----------|----|--|
| 33.350.AE | 03 | VAR - 337479, 337480 - ANTILOCK BRAKING SYSTEM (ABS), AIR CONTROL |
| 33.350.AF | 02 | VAR - 337479, 337480 - ANTILOCK BRAKING SYSTEM (ABS), AIR RESERVOIR |
| 33.350.AG | 03 | VAR - 337479, 337480 - ANTILOCK BRAKING SYSTEM (ABS), AIR RESERVOIR, LINE |
| 33.350.AG | 04 | VAR - 337479, 337480 - ANTILOCK BRAKING SYSTEM (ABS), AIR RESERVOIR, LINE |
| 33.350.AH | 05 | VAR - 337479, 337480 - ANTILOCK BRAKING SYSTEM (ABS), LINE |
| 33.350.AH | 06 | VAR - 337479, 337480 - ANTILOCK BRAKING SYSTEM (ABS), LINE |
| 33.350.AH | 07 | VAR - 337479, 337480 - ANTILOCK BRAKING SYSTEM (ABS), LINE |
| 33.350.AH | 08 | VAR - 337479, 337480 - ANTILOCK BRAKING SYSTEM (ABS), LINE |
| 33.350.AH | 09 | VAR - 337481, 337482, 337484, 337487, 337488, 337491 - ANTILOCK BRAKING SYSTEM (ABS), BRACKET |
| 33.350.AH | 10 | VAR - 337426, 337428 - ANTILOCK BRAKING SYSTEM (ABS), BRACKET, 40KPH |
| 33.350.AH | 11 | VAR - 337429, 337430, 337431, 337432 - ANTILOCK BRAKING SYSTEM (ABS), BRACKET |
| 33.350.AJ | | VAR - 337479, 337480 - ANTILOCK BRAKING SYSTEM (ABS), FOOT CONTROL VALVE |
| 33.350.AK | 01 | VAR - 337479, 337480 - ANTILOCK BRAKING SYSTEM (ABS), FOOT CONTROL VALVE, LINE |
| 33.350.AM | 03 | VAR - 337479, 337480 - ANTILOCK BRAKING SYSTEM (ABS), BRAKE SERVO |
| 33.350.AM | 04 | VAR - 337479, 337480 - ANTILOCK BRAKING SYSTEM (ABS), BRAKE SERVO |
| 33.350.AN | 02 | VAR - 337479, 337480 - ANTILOCK BRAKING SYSTEM (ABS), PRESSURE CONTROL VALVE |
| 33.350.AP | 02 | VAR - 337479, 337480 - ANTILOCK BRAKING SYSTEM (ABS), PNEUMATIC VALVE, PRESSURE LIMITER |
| 33.350.AQ | 01 | VAR - 337484, 337487, 758041, 758042 - ANTILOCK BRAKING SYSTEM (ABS), QUICK COUPLER |
| 33.350.AR | 03 | VAR - 337479, 337480 - ANTILOCK BRAKING SYSTEM (ABS), BRAKE FLUID RESERVOIR |
| 33.350.AR | 04 | VAR - 337479, 337480 - ANTILOCK BRAKING SYSTEM (ABS), BRAKE FLUID RESERVOIR |
| 33.350.AS | 02 | VAR - 337479, 337480 - ANTILOCK BRAKING SYSTEM (ABS), BRAKE LINE, FRONT |
| 33.350.AT | 05 | VAR - 337479, 337480 - ANTILOCK BRAKING SYSTEM (ABS), BRAKE LINE, REAR |
| 33.350.AT | 07 | VAR - 758041, 758042 - ANTILOCK BRAKING SYSTEM (ABS), REAR, BRAKE LINE |
| 33.350.AU | 03 | VAR - 337479, 337480 - ANTILOCK BRAKING SYSTEM (ABS), BRAKE CYLINDER |
| 33.350.AU | 04 | VAR - 337479, 337480 - ANTILOCK BRAKING SYSTEM (ABS), BRAKE CYLINDER |
| 35.000.00 | 01 | SECTION INDEX - HYDRAULIC SYSTEMS |
| 35.000.00 | 02 | SECTION INDEX - HYDRAULIC SYSTEMS |
| 35.000.00 | 03 | SECTION INDEX - HYDRAULIC SYSTEMS |
| 35.000.00 | 04 | SECTION INDEX - HYDRAULIC SYSTEMS |
| 35.000.00 | 05 | SECTION INDEX - HYDRAULIC SYSTEMS |
| 35.000.00 | 06 | SECTION INDEX - HYDRAULIC SYSTEMS |
| 35.000.00 | 07 | SECTION INDEX - HYDRAULIC SYSTEMS |
| 35.100.AR | 02 | VAR - 758071, 758072, 758073, 758074, 758075, 758076, 758077, 758078, 758079, 758080, 758081, 758082, 758083 - REMOTE CONTROL VALVE (EHR), LIFT CYLINDER, LINE |
| 35.100.AZ | 03 | VAR - 758040, 758042 - PRIORITY VALVE, ITALY |
| 35.100.AZ | 04 | VAR - 758037, 758039, 758044 - TRAILER BRAKE, PRIORITY VALVE |

**Thanks very much for your reading,
Want to get more information,
Please click here, Then get the complete
manual**

JustClickHere 

NOTE:

**If there is no response to click on the link above,
please download the PDF document first, and then
click on it.**

**Have any questions please write to me:
admin@servicemanualperfect.com**